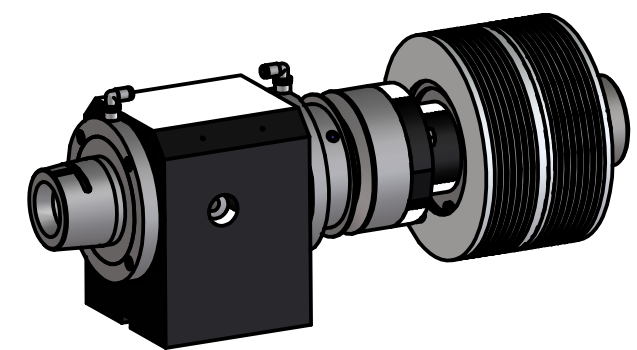
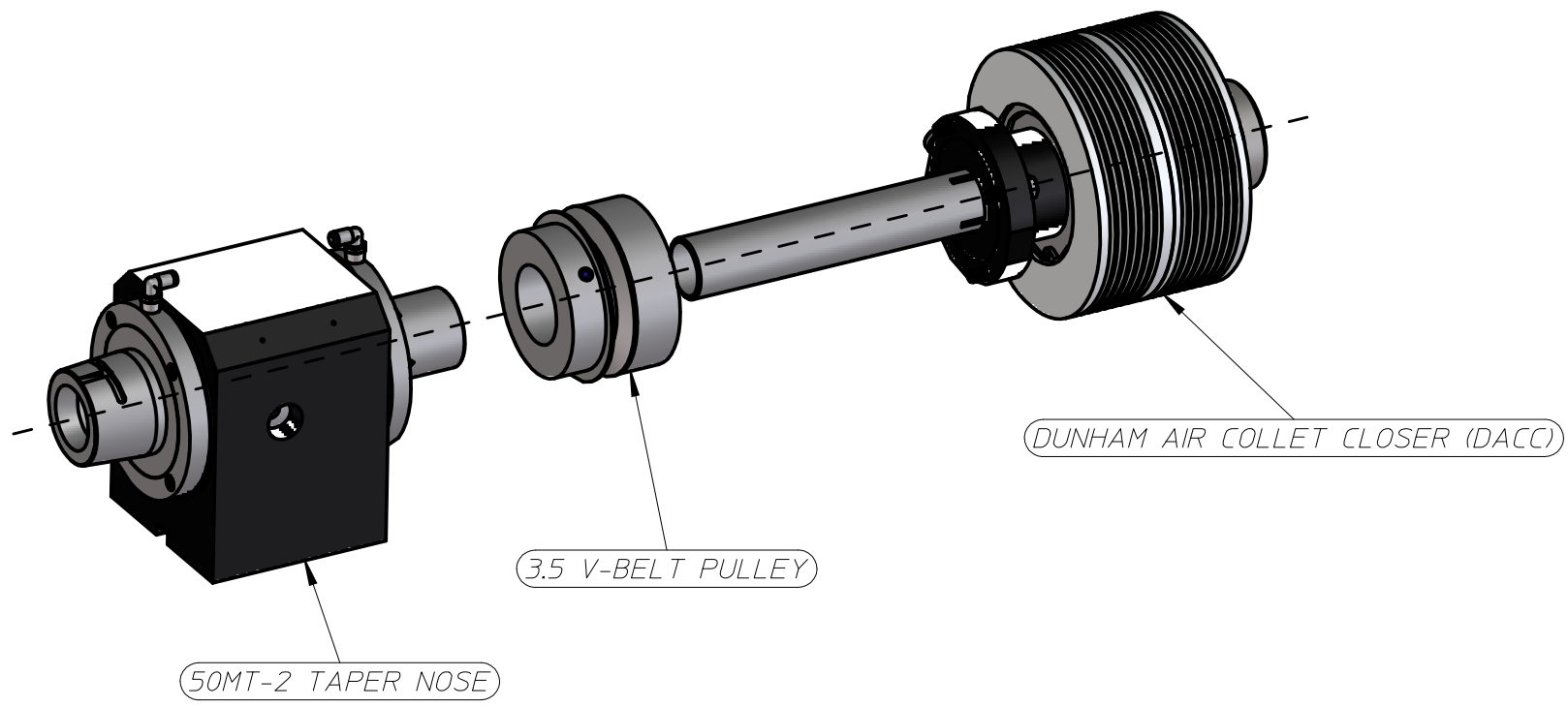




Part No.	Part Name
D020-50MT-2	50M TAPER NOSE
D020-3.5VPULYDACC	3.5 V-BELT PULLEY
D010-DACC	DACC



MATERIAL		 DUNHAM TOOL COMPANY <small>DIVISION OF LISLE CORPORATION</small>	
FINISH	HEAT TREAT		
REFERENCE DRAWING:		TITLE	
UNLESS OTHERWISE SPECIFIED DECIMAL DIM. .xx ±.015 .xxx ±.005 FRACTIONAL DIM. ±1/64 ANGLES ±1° ROUND EDGES .005-.015 CORNERS FILLETS .005-.020 SURFACE FINISH 32✓		50MT-2 CENTRIC (TAPER NOSE) W/DACC, ADAPTER, AND 3.5 V-BELT	
 USED ON SCALE NONE	FM-09-047 2/19/2015	DR. MM CHK. DATE	DATE MAR-15-18
	PART NO. 50MT-DACC-VP		